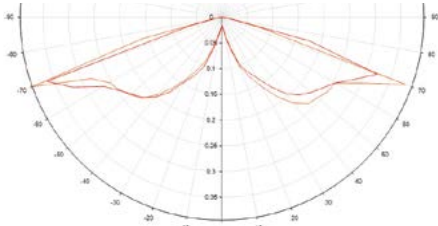
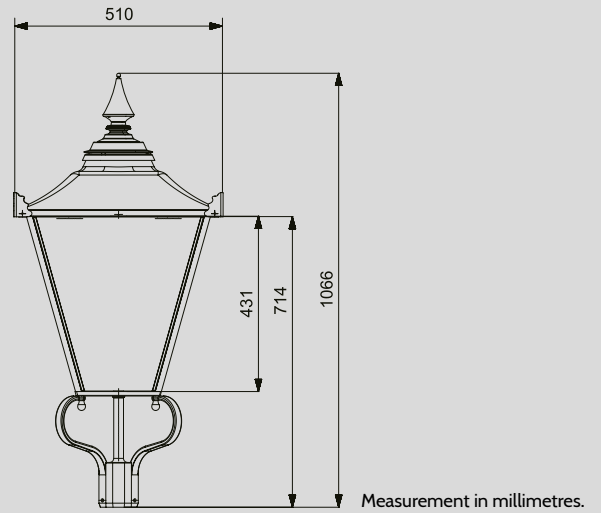


BOLEYN

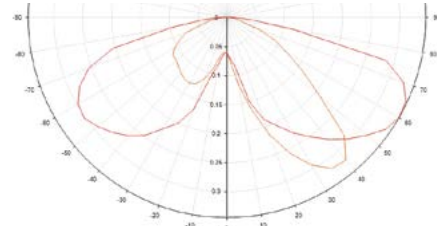


Introducing Boleyn

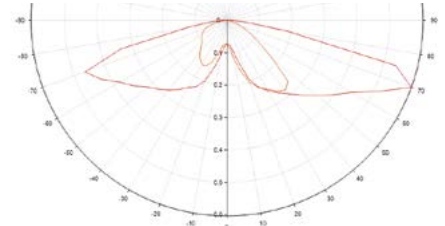
The Boleyn, a beautifully crafted and respectfully replicated period lantern housing the latest LED chips and dimmable drivers. Compatible with a wide variety of CMS systems. Available in an original glazed style or a contemporary open air variant, the Boleyn blends seamlessly into any heritage area.



Symmetrical lens



Medium lens



Wide lens

Product Features



CLO Available



IP65



Up to IK10



Modular



Preset Dimming



Lumen Boost



Surge Protection – 10kV 10kA
MLV (clamping voltage) 1.2kV



Lightweight
LM6 aluminium

Glazed option available

Lantern Information

Weight	12 kg
Windage	0.2285 m ²
RAL codes	Black: RAL 9004 Grey: RAL 7040
Mounting sizes	76mm

Lumen Boost

Tune your driver and lumen output to provide the specific light level required, reducing your lantern variations. Photometry is available in incremental lumen steps to simplify design process and maximise energy savings.

Lumen output range	RA/CRI index	CCT	LX value	Lumens per watt
2752 - 10,194 lumens	>70 Standard >80 Available	3000k, 4000k, 5000k	L90 > 100,000 hours	Upto 133 lm/w

Visit: www.orangetek.co.uk
to find out more or call our sales team
+44 (0)1283 347 792

Photometry



Website



99% Recyclable

RoHS Compliant WEEE Compliant



All facts and figures correct at time of printing, subject to change.