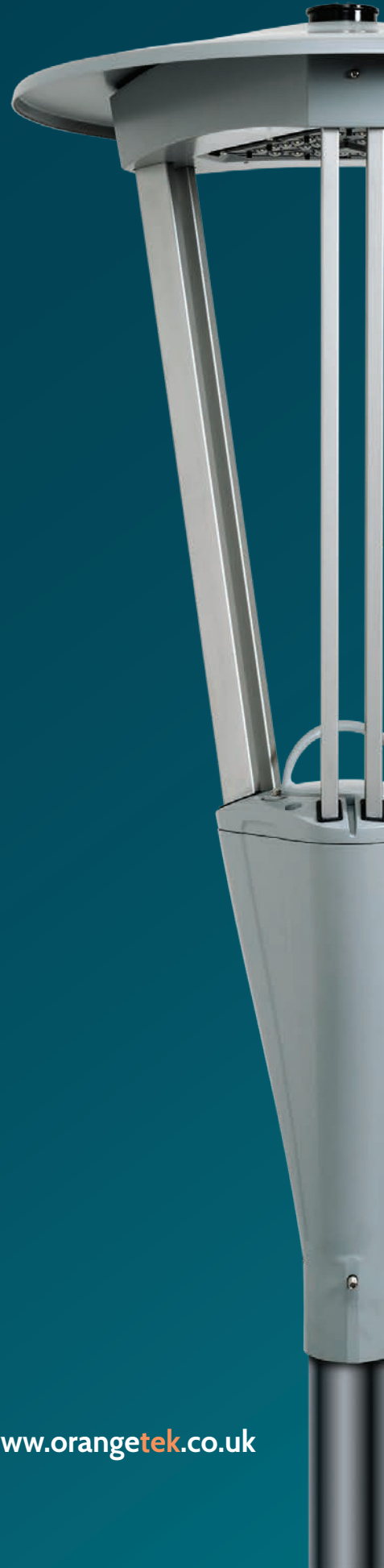
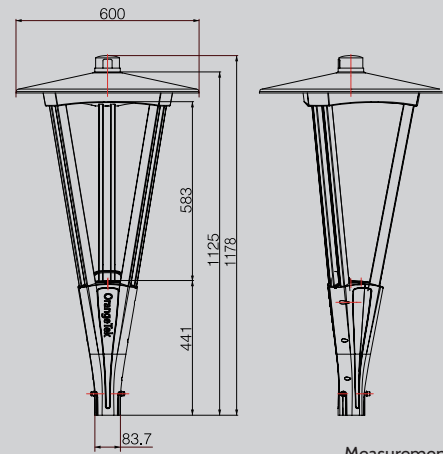



TORCH

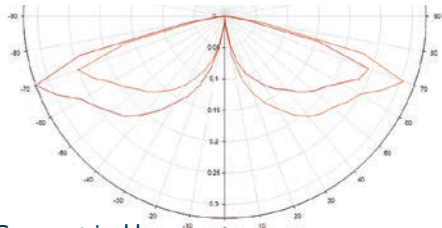


Introducing Torch

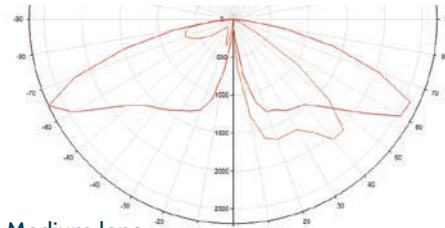
The Torch is the new amenity lighting LED luminaire from OrangeTek. A distinctive contemporary design provides a lighting statement in any high end metropolitan installation. Available with a variety of lenses, the Torch provides road lighting solutions for the exclusive urban street, or a uniform symmetry for your public realm and architectural settings. Once installed the Torch will help create a sophisticated ambiance in any scheme.



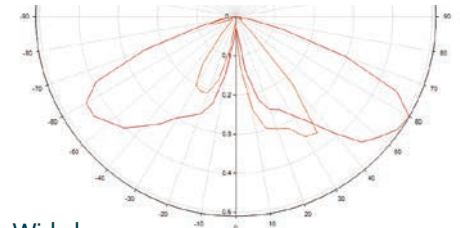
Measurement in millimetres.



Symmetrical lens



Medium lens



Wide lens

Product Features



Modular light engine



SmartCity Ready



CLO Available



IP65



Upto IK10



Modular



Lumen Boost



Preset Dimming



Surge Protection – 10kV 10kA
MLV (clamping voltage) 1.2kV



Lightweight LM6 aluminium

Lantern Information

Weight	11.5 kg
Windage	0.2033 m ²
RAL codes	Black: RAL 9004 Grey: RAL 7040
Mounting sizes	76, 60mm

Lumen Boost

Tune your driver and lumen output to provide the specific light level required, reducing your lantern variations. Photometry is available in incremental lumen steps to simplify design process and maximise energy savings.

Lumen output range	RA/CRI index	CCT	LX value	Lumens per watt
1960 - 10,660 lumens	>70 Standard >80 Available	3000k, 4000k, 5000k	L90 > 100,000 hours	Upto 132 lm/w

Visit: www.orangetek.co.uk
to find out more or call our sales team
+44 (0)1283 347 792

Photometry



Website

