

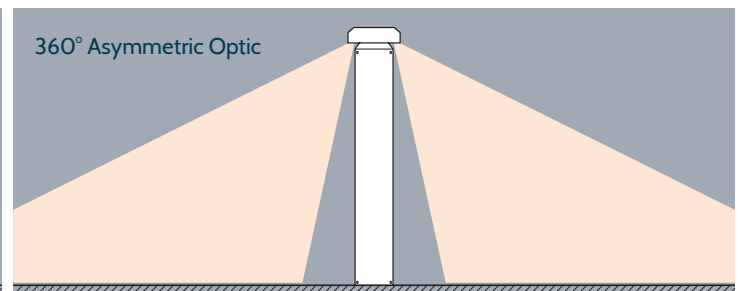
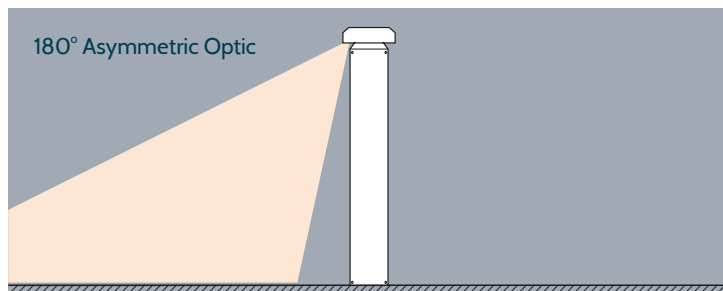
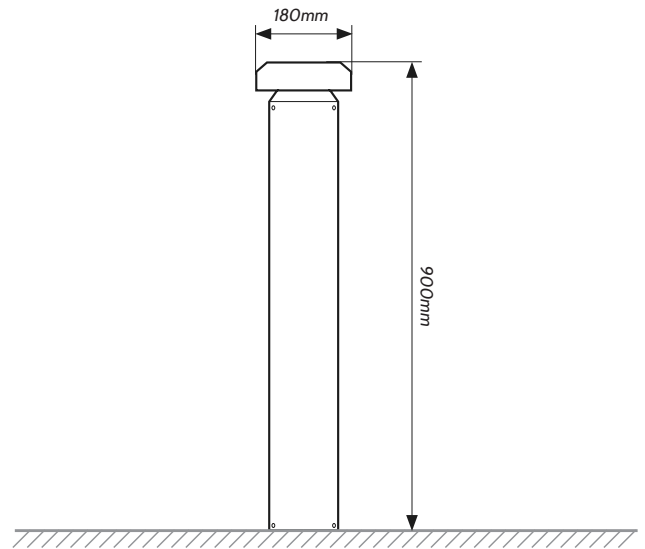
The Barton



The Barton overview

The Barton illuminated bollard connects paths, squares and other outdoor areas: Available in two light distributions and three mounting heights, the range of sizes enables nuanced lighting designs with just a single luminaire range. Its innovative optical arrangement creates light distribution in either 180° or a full 360° for open areas. The Barton is designed to achieve class leading uniform illumination for any design scenario.

The bespoke optic design combined with the recessed LED source prevents emissions of light above the horizontal, creating excellent visual comfort conditions for pedestrian and drivers whilst preserving dark skies compliance.



- CLO Available
- Lumen Boost
Tune lumen output
- Modular
- Preset Dimming
- SmartCity Ready
- Surge Protection – 10kV 10kA
MLV (clamping voltage) 1.2kV
- Up to IK10
- Lightweight
LM6 aluminium
- IP66

Lantern information

Weight range	8 - 12 kg	Lumen output range	RA/CRI index	CCT	LX value	Lumens per watt
Optic angle	180° or 360° coverage	400 - 2500	>80 Standard >70 Available	2700k 3000k, 4000k	L90> 50,000 hours	Upto 90 lm/w
RAL codes	Graphite Grey: RAL 7024 Customised RAL					
Mounting options	Surface or Root mounted option					
Mount height	900mm					

Visit: www.orangetek.co.uk
To find out more or email our sales Team
Info@orangetek.co.uk

All facts and figures correct at time of printing, subject to change.

